



750 #7
REV. 10/17/71

SERVICE BULLETIN

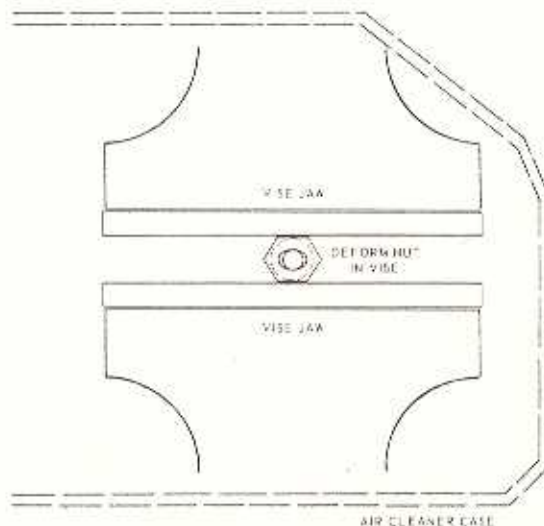
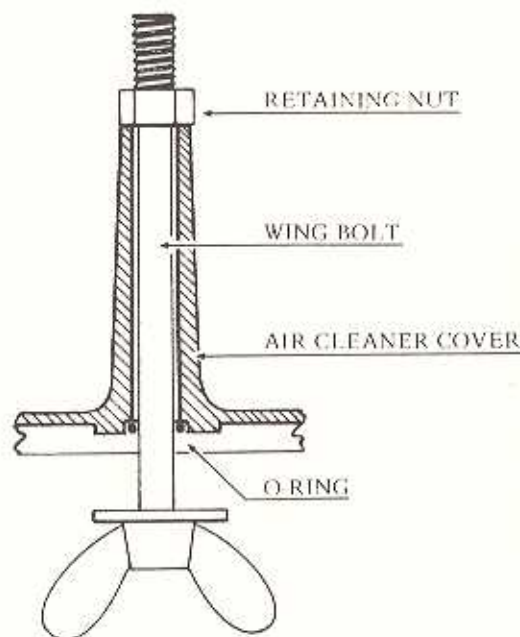
AMERICAN HONDA MOTOR CO., INC. MOTORCYCLE SERVICE DEPARTMENT

WING BOLT RETAINING NUT SECURITY, EARLY CB-750 AIR CLEANER COVERS

Air cleaner cover wing bolts in early CB-750 motorcycles, frame number CB750-1000001 through 1030390, are kept in place by retaining nuts during air cleaner disassembly. In later models, the wing bolts are kept in place by cotter pins.

Wing bolts using retaining nuts may loosen from vibration and allow the retaining nuts to drop free. If loose nuts should enter the carburetor connecting tubes, it is possible for them to reach the engine and cause damage to pistons, valves, and cylinder head.

To prevent possible engine damage, the retaining nuts must be secured on the wing bolts. With wing bolts installed in the air cleaner cover, and retaining nuts in place below the threaded section of the wing bolts, distort the retaining nuts by pressing them in a vise. When distorted, the nuts will not pass the threaded section of the wing bolts, and their installation will be secure.



AMERICAN HONDA MOTOR CO., INC.
MOTORCYCLE SERVICE DEPARTMENT

9-792

This revision supersedes Service Bulletin 750 #7, dated 11/6/69, which should be removed and destroyed.

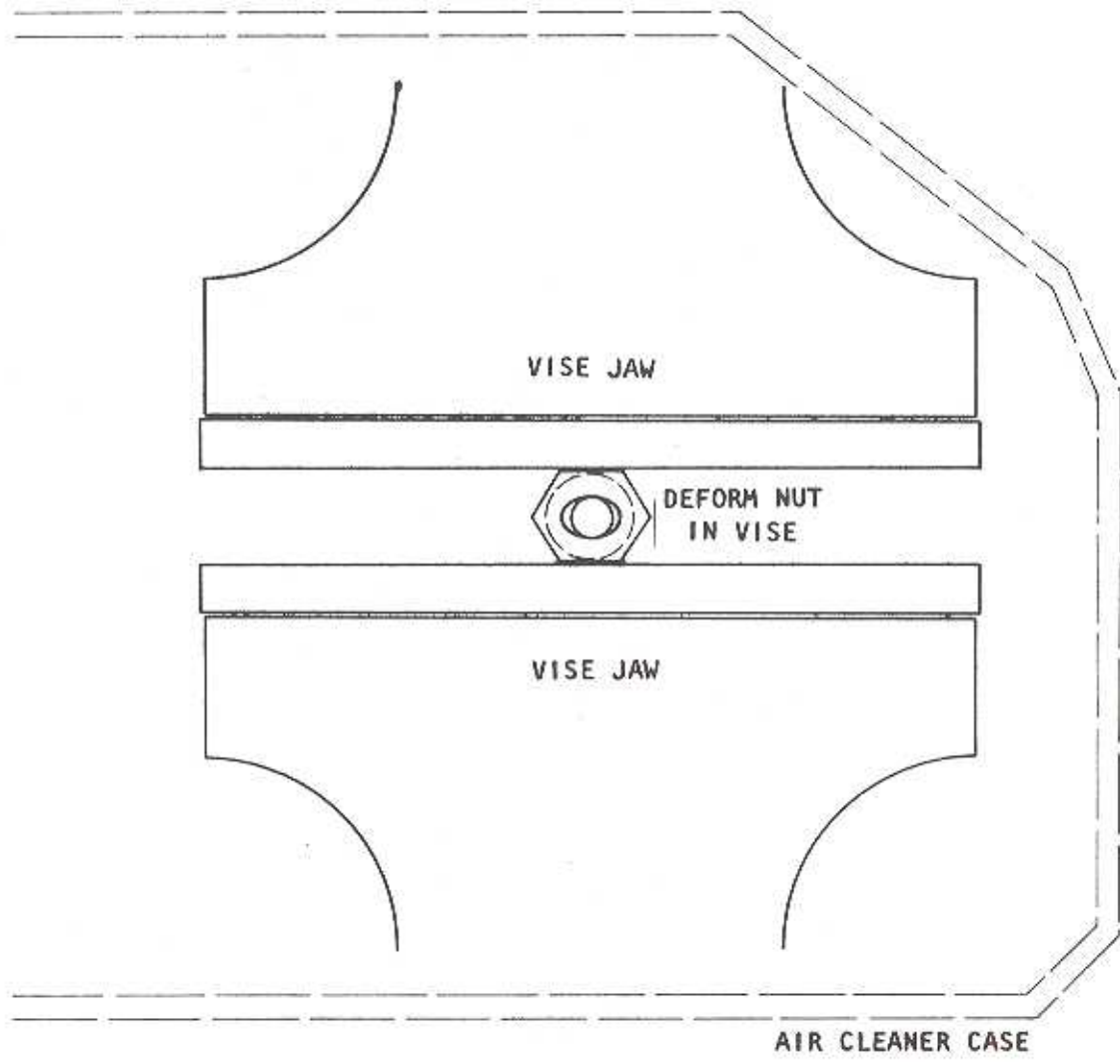
ROUTING:

COPY 1
COPY 2

GENERAL MANAGER
 SERVICE MANAGER

SALES DEPT
 MECHANICS

OFFICE FILE
 SHOP FILE



WISE JAW

DEFORM NUT
IN VISE

WISE JAW

AIR CLEANER CASE